



Revision
November - 2021



Gladiator HYDRA and TITAN Series

Owner's Manual

This guide applies to the following models:

GA10(D)-HYD to GA35(D)-HYD and GA10(D)-TTN to GA35(D)-TTN



Aqua Cooler Pty Ltd
U14, 2-12 Knobel Court
Shailer Park 4128 Qld

www.aquacooler.com.au
1300 AQUA COOLER
1300 278 286

Table of Contents

Introduction.....	4
General Information.....	4
Denomination.....	4
Safety	5
First Aid	6
Installation Requirements	6
Installation of the Water Path.....	7
Water Connection Fittings by Model (Male BSPT)	8
Electrical Installation	8
Preparations For Starting the Chiller	9
Operating Sequence	9
Operating Precautions	10
Multiple Chiller Installations	10
Pump Model by Chiller.....	11
Pump Curves.....	11
Redundant Pumps	13
Aqua Cooler Controller.....	13
Unlocking the Keypad on the Aqua Cooler Controller.....	13
Operational Logic of Controller.....	14
Start Up	14
Temperature Control-Set Point	14
Temperature Control-Max and Min Set Point	14
Temperature Control-High and Low Temperature Alarm Stop.....	14
Fan Speed Control-Optional	14
High/Low Pressure Control	15
Water Flow/Pump Control.....	15

Compressor Hold Time	15
Alarm Acknowledge Delay	15
Pump Delay Time	16
Tandem Control	16
Close Tolerance.....	17
Full Setting List.....	22
Advanced Controller Functions	25
Downloading Data Log	25
Calibration of Sensors-Aqua Cooler Controller.....	27
Updating Software	27
Controller Input and Output Schematic	28
Poor Heat Dissipation	32
Low Refrigerant	32
Low and High Pressure Difference	32
Compressor Not Starting.....	32
Maintenance	33
Recommended Preventative Maintenance Program	33
Warranty.....	33
General Application	34
Installation Sketch Map of Air Cooled Chiller	35
Installation Sketch Map of Water Cooled Chiller.....	36
Internal Structure Sketch Map of Air Cooled Chiller	37
Internal Structure Sketch Map of Water Cooled Chiller.....	38
Commissioning Sheet	39
Notes	42

INTRODUCTION

Thank you for choosing an Aqua Cooler chiller. To use this chiller correctly and efficiently, please read the following instructions in detail. This manual is designed to explain the installation, operation and the basic maintenance of the product. It is recommended that for service issues Aqua Cooler Pty Ltd be contacted before any work commences.


General Information

The chiller is designed to refrigerate and circulate water to a heat developing process to aid in keeping that process cool. They are supplied with an immersed coiled evaporator, or plate heat exchanger, or shell&tube evaporator (model dependant), an air-cooled condenser and a scroll compressor to circulate the refrigerant gas. Water is circulated out of the unit via a pump. The chiller is designed to be installed outdoors and refrigerate water for a heat developing process – not for drinking or food preparation purposes. Any other use of this water chiller is not as it is intended.

Denomination

GA30(D)-A-PP-HYD				
				<u>Special Series:</u> None: Standard Unit TTN: Dual Ref Circuits HYD: Dual Water & Ref Circuits CTO: Close Tolerance
			<u>Evaporator Type:</u> PP: Plate Pack	
		<u>Refrigerant:</u> A: R134A C: R407C 410:R410A		
		<u>Compressor Number:</u> (D): Dual		
	<u>Model Number:</u> GA10 to GA35			
<u>Chiller Series:</u> GA: Gladiator				

Safety



	<p>WARNING</p> <p>The unit is only to be installed, operated, maintained and serviced by qualified persons only. Operation of units such as these can be hazardous and should be serviced by persons with the proper training and qualifications. The unit and the Product Manual have markings, warning and instructions on the safe operation of the unit and they should be adhered to.</p>
---	---

This unit is designed to be safe in the use for which it was planned, provided that it is installed, started up and maintained in accordance with the instructions contained in this manual.

The unit contains electrical components that operate at line voltage and contains moving parts. It must be isolated from the electrical supply before being worked on. All maintenance operations that require access to the unit must be carried out by suitably qualified technicians who have a thorough understanding of all necessary precautions associated with refrigeration and electrical machinery. The unit is not to be used by the infirmed or children unless they are supervised by responsible persons qualified to carry out the supervision. All panels must be re-installed after carrying out any maintenance work. The unit should be secured to prevent it from toppling over.

Minimum temperature setting is 5°C on the unit. Any lower than this may cause problems with the evaporator icing up and potentially loss of refrigerant and potentially expensive service costs

The liquids to be cooled must be compatible with the materials used in the constructions of this unit. These liquids can be water or mixtures of glycol and water for example. The liquids to be cooled must not be flammable.

	<p>WARNING</p> <p>All wiring must be performed by qualified electricians. Improperly installed wiring and grounding may result in electrocution and fire hazards. To avoid these hazards all wiring must be installed in accordance with all the local relevant safety standards for wiring.</p>
	<p>WARNING</p> <p>The chiller contains refrigerants under high pressure. The system also contains oils under high pressure. Before the refrigeration circuit can be opened, the refrigerant should be reclaimed to reduce pressure in the system. Failure to recover the refrigerant to relieve pressure or the use of refrigerants or refrigerant substitutes that are not specified for the unit may result in system rupture and explosion.</p>

Refrigerants have a narcotic effect when inhaled in high quantities. Should a leak occur of the refrigerants then the room should be vacated and should only be re-entered after suitable ventilation.

R134A | R407C | R410A: Hazchem code 2RE and non – flammable.

First Aid

Eye Contact:	Immediately flush with tepid water or sterile saline solution. Hold eyelids apart for 15 minutes while irrigating. Seek medical attention.
Inhalation:	Remove from the area of exposure immediately and if you are assisting a victim to avoid being exposed. Breathing apparatus must be worn in the presence of high concentration of refrigerants. If victim is not breathing then apply artificial respiration and seek urgent medical help. Give oxygen is available.
Skin Contact:	Cold Burns. Remove contaminated clothing and gently flush affected area with warm water (30°C) for 15 minutes. Apply sterile dressing and treat as for a thermal burn. For large burns immerse in water for 15 minutes. DO NOT apply any form if direct heat. Seek medical attention.
Ingestion:	For advice contact the poisons centre on 131126 in Australia. If swallowed do not induce vomiting. Ingestion is considered unlikely due to product form. Advice to Doctor. Use of adrenaline and other catecholamines may be contraindicated due to possible cardiac sensation. Treatment for asphyxia.

INSTALLATION REQUIREMENTS

Immediately upon receipt of the chiller, carefully inspect the chiller for any damage that may have occurred in transit. Any such damage must be noted on the carrier's delivery documents. It is the consignee's responsibility to make any subsequent claims upon the carrier or respective insurance company. Any hidden damage should be reported to Aqua Cooler as soon as possible.

If the unit is to be stored before installation, then care must be taken to ensure no foreign matter can get into the water pipes. If the storage is for a prolonged period, it is recommended that the water circuit be changed with nitrogen and sealed.

A comprehensive commissioning program carried out by qualified refrigeration mechanics is available through Aqua Cooler. For full details and conditions please contact Aqua Cooler. There is also a site inspection procedure at the end of this manual.

The unit has been designed to be lifted with a forklift or a crane. The care must be taken when lifting with a crane that the strapping does not damage the side panels. The units are also designed to be moved around with a pallet jack, some models also have castor wheels.

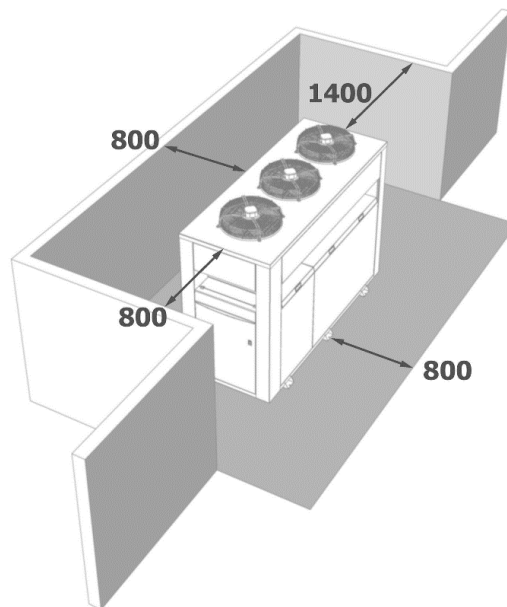
The commissioning section at the end of this manual has a site inspection checklist designed to aid in checking that the site for the chiller installation is suitable. This should be filled out by someone experienced in chiller installation and returned to Aqua Cooler if there are any doubts about the installation. It is essential to ensure that adequate and safe service access to the chiller is provided. Failure to provide safe access to the chiller may lead to additional charges should servicing be required.

When installing indoors it is important to understand that the chiller will impart a significant heat load into the environment, and it is essential to ensure a plentiful, unrestricted supply of ambient

temperature air to the chiller. Should you have concerns over the installation site then please contact Aqua Cooler for advice.

Note: Under no circumstances is ducting to be attached to the condenser fan outlet.

At least 800mm should be left around the unit (Rear: 1400mm) to allow for proper ventilation of the condenser. The unit should not be installed in a closed-off room. Preferably there should be no obstructions above the chiller, with a minimum of 2000mm clearance permitted in other circumstances. In addition to ensuring enough space around the chiller for free air movement, provision must be made around the chiller for service and regular maintenance. The chiller must be installed on a firm and level foundation, of adequate strength to support the chiller's full operating weight.

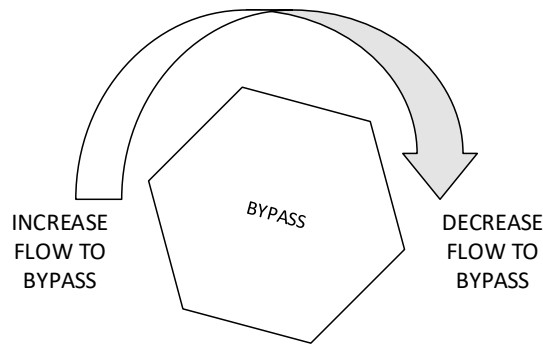


Installation of the Water Path

Before connecting the make-up water, check the suction pressure on in the chiller to ensure there is no refrigerant leak. A refrigeration mechanic can do this with gauges or if the unit has a smart controller the pressure can be viewed on the display on the controller in the electrical box. If there is a leak in the refrigeration circuit, water may be drawn into the refrigeration circuit on startup. It is recommended that the chiller be inspected by a qualified refrigeration mechanic before filling the system with water.

All pipe work with refrigerated water running to and from the chiller should be fitted with water-resistant insulation material to prevent sweating and maximise the efficiency of the chiller.

Bypass



Water Connection Fittings by Model (Male BSPT)

Models:	GA10(D)-HYD GA15(D)-HYD	GA18(D)-HYD GA20(D)-HYD GA25(D)-HYD GA30(D)-HYD GA35(D)-HYD	GA10(D)-TTN GA15(D)-TTN	GA18(D)-TTN GA20(D)-TTN GA25(D)-TTN GA30(D)-TTN GA35(D)-TTN
Water Out:	1½"	2"	1½"	2"
Water In:	1½"	2"	1½"	2"
Drain:	1"	1"	1"	1"
Overflow:	1"	1"	1"	1"
Water Supply:	½"	½"	½"	½"

Electrical Installation

The chiller draws a large amount of current and it is important that the connection of the unit to the power supply must be carried out in accordance with Australian standards and only by a licensed electrician.

The power supply system on-site and the circuit protection must be designed for the total current of the unit taking into account the inrush current and the lock rotor amps of the compressor– see the brochure. The circuit breaker must be set no more than 125% of the units rated load current.

Mains supply cables must be sized to ensure adequate voltage at the chiller under all load conditions. Three-phase power must be symmetrical, ensuring equal effective voltage and equal phase angle between consecutive phases. The pump and the compressor rely on correct phase rotation. Ensure all electrical connections are tight prior to starting up.

PREPARATIONS FOR STARTING THE CHILLER

For the initial operation of the chiller, please confirm the following:

1. The power supply voltage and phase should be in accordance with the specifications listed on the chiller's marking plate.
2. Check the pipe and return water pipe are connected properly and the valve is open.
3. Fill the water tank with water or coolant before starting the water pump. (Ensure you are using a suitable coolant according to your requirements)
4. For water-cooled units, please pay attention to the moving direction of the water pump and confirm the tower fans are not moving in the opposite direction. If the pump is three-phase, change any two relative phase lines to reverse its direction. Then close the switch after connections have been made.

Before starting up the chiller have the following installation requirements been carried out

1. The power supply voltage and phase should be in accordance with the specifications listed on the chiller's marking place.
2. Check the ventilation of the unit.
3. Check the refrigerant leak through pressure gauge before filling the unit with water.
4. Check the bypass in the tank. Make sure it's closed to ensure the water flow to application.
5. Check the power supply according to the requirements.

Operating Sequence

1. Open the valve of the supply pipe and return pipe and ensure the waterway is unimpeded.
2. Turn the unit on with the master power switch.
3. Press the run button on the interface panel to start the controller.
4. Press the compressor start button on the interface panel to start the compressor.
5. Pressing the power button while the unit is running will power off the unit.

The unit is ready to be started up. Once power is provided to the chiller, open the clear plastic guard over the ON/OFF switch and turn the unit on and the unit will start automatically. The pump will start immediately. The compressors have a start delay. Once the compressors have cut in, watch the display to ensure that the water temperature is coming down. Set points and operational parameters are displayed on the screen. Any faults are indicated on the face of the control panel.

It is a good idea after the unit has been running for 5 minutes check that the water temperature is dropping and check there are no bubbles in the sight glass (if fitted) – if these two things are happening then the unit is running properly. Give the system a final check to ensure that there are no water and refrigerant leaks.

Operating Precautions

1. Chilled water pump cannot be started without water in the water tank.
 - a. All standard models are equipped with water level protection in the water tank (except for closed water tanks). The default setting is when the water level is too low, the unit will throw an alarm and the pump will keep operate. However, this function can be changed in controller. Once the function is changed, pump will stop running if water level gets too low. Please make sure the function setting fits the application requirement.
(Manufacturer Parameters – Control Setting – Low water lv. & Lack of water)
2. Switching the operating switches frequently should be avoided.
3. When the chilled-water temperature reaches the set temperature, the compressor will stop.
4. In order to prevent the evaporator freezing, do not set temperature below 5 °C. (Except for sub-zero models)
5. When the unit is not in use for long periods of time, drain the tank.
6. To ensure the most efficient operation, please clean the condenser, evaporator, and the water filter (if fitted) regularly.

Multiple Chiller Installations

Aqua Coolers chiller can be installed in multiple installations for redundancy or to allow scaling as process application increases in size – for example adding power to a data centre.

There are some requirements for the installation to prevent issues when the chillers duty cycle or if a chiller develops a fault and the central controller or BMS starts another one.

The requirements are

1. The chillers must be ordered with the flood back option – this hydraulically isolated the chiller when it is in standby mode. There is a motorized ball valve on the return water line and a check valve on the water outlet line
2. A drain header must be installed between the chillers. This allows the water level in all the chillers to same. Obviously this will not work if the chillers are installed at different levels.
3. The controller in the chiller has a high water temperature alarm acknowledge delay. This setting needs to be set to at least 2 minutes. When the chills duty-cycle the water sitting in the tank of the standby chiller can get warm especially on warmer days and when the chiller starts up the high temperature alarm will activate – this alarm delay will give the chiller time to start cooling the water and allow cold water in the pipe work to stir the tank. See the service and maintenance section of the manual on how to change this setting.

Standard Aqua Cooler chiller can be installed together in pairs and one of the chillers will act as the master and the other the slave and the master will duty cycle the chillers and keep a healthy. If there are more than two chillers Aqua Cooler can supply a central chiller controller to monitor and duty cycle the chillers

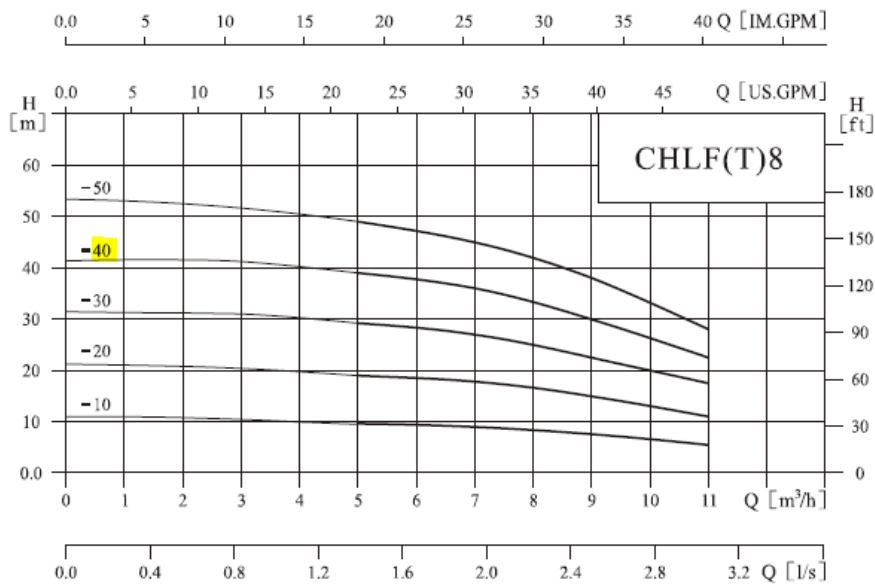
PUMP MODEL BY CHILLER

Chiller Model (two pumps)	Chiller Model (single pump)	Standard Pump Model
GA10(D)-HYD	GA10(D)-TTN	CHLF8-40
GA15(D)-HYD	GA15(D)-TTN	CDMF10-5
GA18(D)-HYD	GA18(D)-TTN	CDMF15-4
GA20(D)-HYD	GA20(D)-TTN	CDMF15-4
GA25(D)-HYD	GA25(D)-TTN	CDMF15-4
GA30(D)-HYD	GA30(D)-TTN	CDMF20-4
GA35(D)-HYD	GA35(D)-TTN	CDMF20-4

Pump Curves

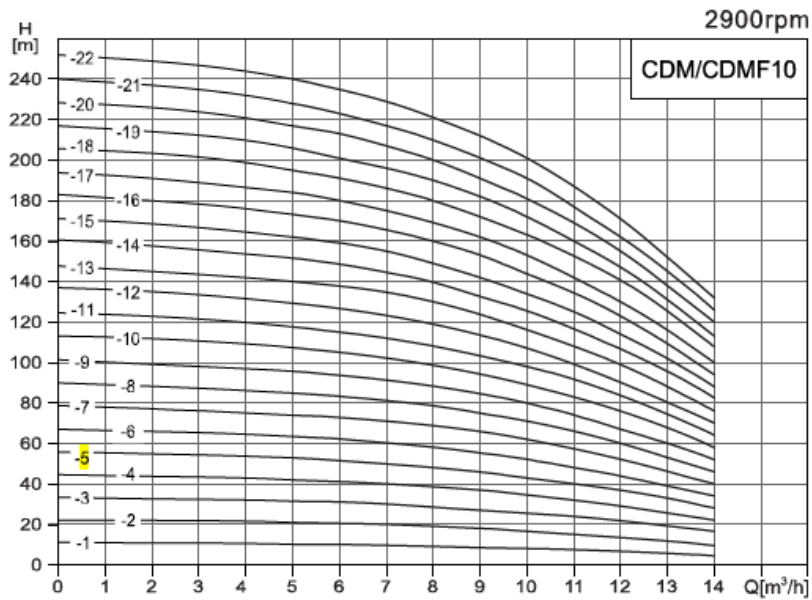
CHLF8-40

Model	Driving Motor		Q(m ³ /h)	5	6	7	8	9	10	11
	(kW)	(hp)								
CHLF8-40	1.5	2	H(m)	39	38	36	34	30	26.5	22.5



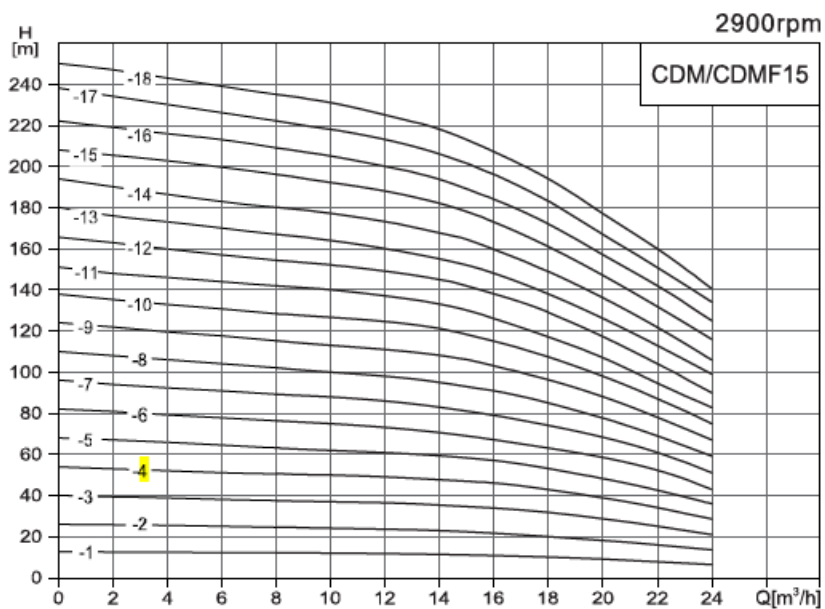
CDMF10-5

Model	Driving Motor(kW)	Q(m ³ /h)	0	5	6	8	10	12	14
CDMF10-5	2.2	H(m)	56	52.5	51	48	43	37	28



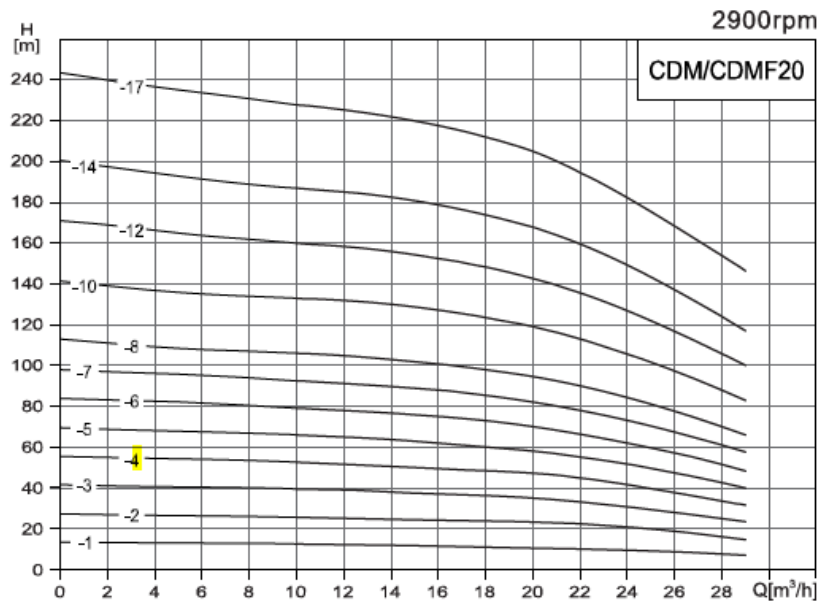
CDMF15-4

Model	Driving Motor(kW)	Q (m ³ /h)	0	8	10	12	14	15	16	18	20	22	24
CDMF15-4	4	H(m)	54	50.5	50	49	47.5	47	46	43	39	34	28.5



CDMF20-4

Model	Driving Motor (kW)	Q(m ³ /h)	0	10	12	14	16	18	20	22	24	26	28	29
CDMF20-4	6.5	H(m)	55.6	52.5	51	50	49	48.5	47	45	41.5	37	33	31.5



Redundant Pumps (only HYD models)

The controller monitors water flow. In the software there is a flow warning and a flow alarm. If the flow alarm is breached then the controller will shut the pump that is running down and start the other pump. The system will issue a warning alarm letting the operator know that the chiller has a problem but is still running – this will be indicated by a flashing alarm rather than the solid light when there is a full shut down. If the second pump develops a fault then the system will try to start the first pump again. This will happen three times before a general fault is issued by the system. The system has been plumbed so the faulty pump can be removed without shutting the unit down. The pumps have been plumbed in such a way that the pump can be replaced without shutting the chiller down.

AQUA COOLER CONTROLLER

The chiller unit features an interface panel with LCD display and input buttons to configure certain functions of the unit.

Unlocking the Keypad on the Aqua Cooler Controller

The key pad on the smart controller will lock out after 10 minutes of non-use. To unlock the key pad press the [ESC], [DOWN], [UP] and [ESC] keys in sequence

OPERATIONAL LOGIC OF CONTROLLER

Start Up

Pump ON, Ball Valve OPEN (if fitted), 10 second delay and then flow readings are taken to check pump is running normally. After compressor hold time and water temperature is above the set point plus hysteresis, COMP1 ON. Once the water temperature reaches set point then compressor OFF. Unit then waits for both the hysteresis and compressor hold time again and then re-starts compressor.

Temperature Control-Set Point

Controller will turn compressors off when the set point is reached. Compressors will be turned on again once water temperature reaches set point temperature plus hysteresis.

Temperature Control-Max and Min Set Point

This prevents casual operator from setting supply temperatures too high or too low

Temperature Control-High and Low Temperature Alarm Stop

High and low temperature limits can be set in order that if they are breached then the chiller will shut down. In rare instances a component may fail without triggering any internal fault indicators. The chiller may think it is running normally yet not refrigerating. It is recommended that high and low temperature stop is set to yes to prevent this happening.

Fan Speed Control-Optional

The controller monitors the discharge pressure of each of the refrigeration circuits and makes decisions for fan speed based on this value.

There are 3 ways to control the fans and the settings can be changed in the controller.

ON ZERO FULL: The fans can be set to shut down while the compressor is running. If the pressure drops below the minimum set point – say on a cold day – then the fans will shut down to prevent over condensing even though the compressor may still be running.

ON LOW FULL (Default option): In the menu there is a valve for minimum run (default 1500 kPa) which when reached will start the fans and run them at 20% speed. There is a fan full speed setting (default 2200 kPa) that will run the fans at full speed. The fan speed will then run proportionally between these two values. These operational pressures will be different for units supplied with R134a – see the setting section of the manual

OFF FULL SP ONLY: This option has the fans off when the compressor is off and full speed when the compressor is on.

High/Low Pressure Control

The system will monitor the discharge pressure of each of the refrigeration circuits and will send a warning when the pressure starts to get too high or too low. If the alarm pressure is breached, then it will shut the unit down. It will do these 3 times in a 24-hour period before shutting the chiller down permanently.

Gladiator HYD TTN		R134A	R407C	R410A
		Pressure	Pressure	Pressure
Aqua Cooler - PCB	HP	2300kPa [2200kPa]	2750kPa [2600kPa]	3500kPa [3300kPa]
	LP	80kPa [100kPa]	200kPa [300kPa]	100kPa [200kPa]
The chiller can only be restarted once pressure is back to a reasonable pressure: Warning pressure: [__kPa].				

Water Flow/Pump Control

The system monitors flow rates and will send a warning if a flow rate is breached and shut the chiller down if the flow alarm point is breached. Zeroing the flow alarm turns it off. It is recommended that the flow alarm is not turned off.

The pump can be set to run if the chiller develops a fault – by turning this feature ON in the program will keep water to the process. This water will of course get warm but it is designed to keep the process cool long enough for system shut down.

If the unit is supplied with a redundant pump the controller will shut the pump down when it detects a problem with the flow. The pump sitting in redundancy will be started. If there is a problem with the flow on this pump it will be shut down and the original pump started.

This process will happen 3 times in 24 hours before the unit is shut down permanently and every week the pumps are duty cycled to share the wear and tear on the units

Compressor Hold Time

The controller will wait 120 seconds before starting compressors up after shut down to prevent too many start-ups.

Alarm Acknowledge Delay

This delay is the time that the program waits before flagging an alarm. This may be useful in the event of a tandem switch over to a tank of very warm water for example. If the water is too warm then the high water temperature alarm may be triggered. If there is a delay then it will give the newly activated chiller time to pull the water temperature down.

Pump Delay Time

The controller will wait for a certain time before taking flow reading – it is designed to give the ball valve time to open before indicating flow problems

Tandem Control

One chiller will need to be assigned a master chiller and the other a slave chiller – see “CHANGING THE CONTROLLERS PARAMETERS” section for instructions on doing this. The master chiller will do all the controlling and timing.

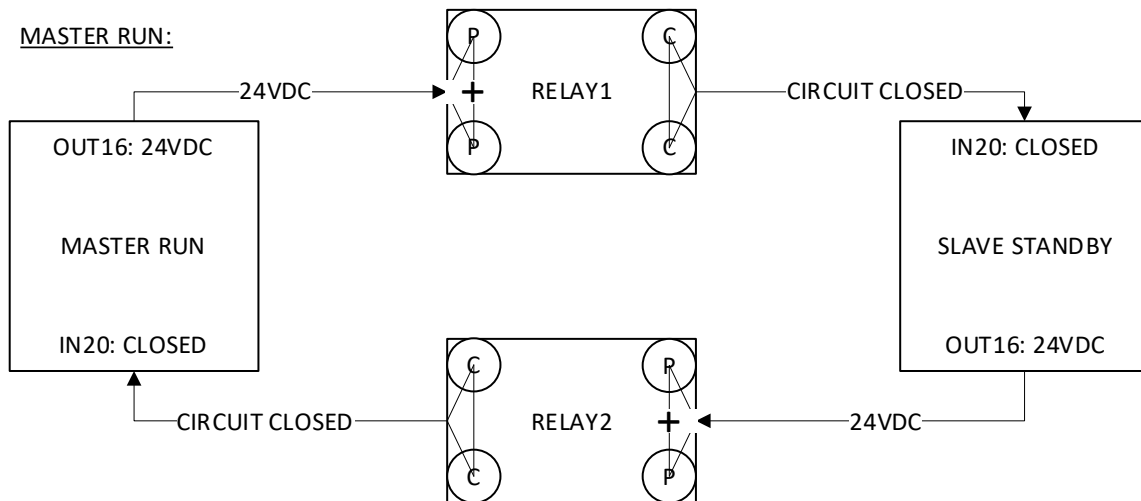
Tandem settings:

- Parameter menu - system menu - STOPon COMP FAIL: Set to YES
- Parameter menu - system menu - SINGLE/MULTI: MULTI CYCLE AUTO: Set to ON
- Parameter menu - system menu - CYCLE CHANGEOVER: Set to 10 mins or weekly
- Parameter menu - system menu - MASTER/SLAVE: Set to master or slave.
- Parameter menu - system menu - NETWORK CONTROL: Set to off

When Master is Running:

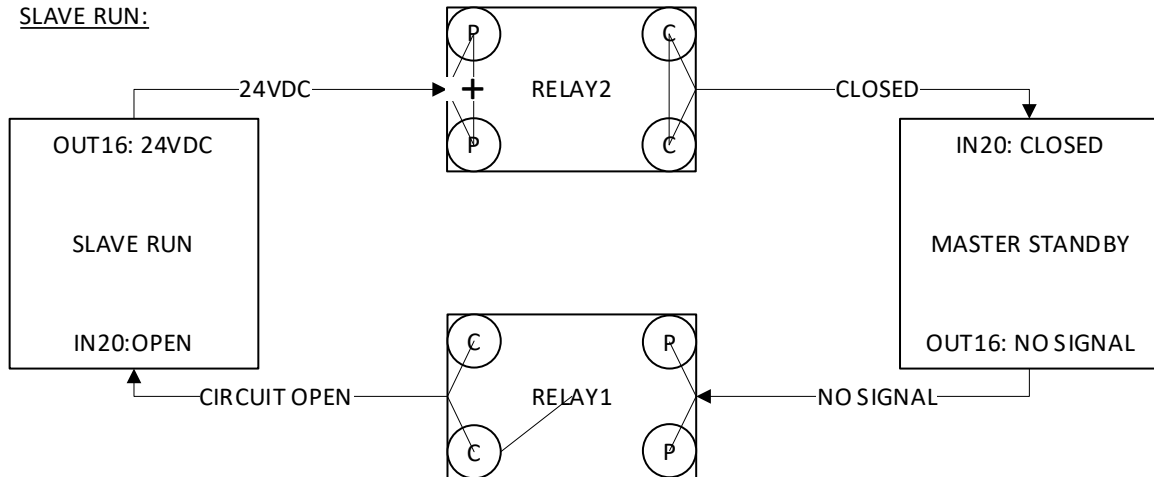
Master chiller runs. → Master OUT16 sends 24VDC. → (Relay 1 power side: Energized) → (Relay 1 circuit side: Closed) → Slave IN20 is closed. → Slave is on standby.

Slave chiller is on standby. → Slave OUT16 sends 24VDC. → (Relay 2 power side: Energized) → (Relay 2 circuit side: Closed) → Master IN20 is Closed → Master knows there is no fault on Slave.



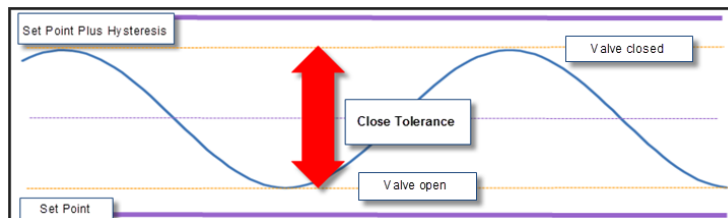
When Slave is Running:

Slave chiller runs. → Slave OUT16 sends 24VDC. → (Relay 2 power side: Energized) → (Relay 2 circuit side: Closed) → Master IN20 is closed. → Master knows there is no fault on Slave.
 Master chiller is on standby. → Master OUT16 has no signal. → (Relay 1 control side: No signal) → (Relay 1 circuit side: Opened) → Slave IN20 is opened. → Slave chiller runs.



Close Tolerance

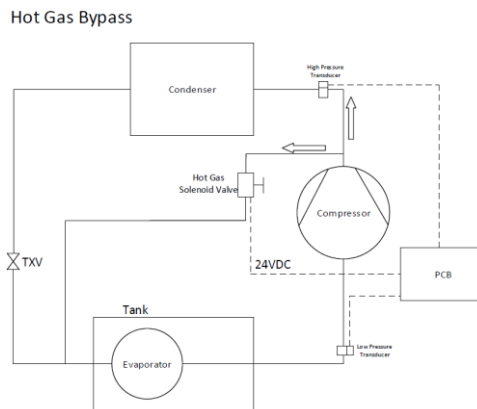
If the unit has been manufactured for close tolerance then the controller will attempt to keep the water temperature within the close tolerance range around the midpoint between the set point and the hysteresis.



For example if the set point is 10°C, the hysteresis 2°C and the close tolerance 1°C then the controller will attempt to keep the temperature between 10.5°C and 11.5°C. The ability of the chiller to keep the temperature as close to the set point will vary depending on heat load. The closer the heat load is to the chillers rated capacity the more accurate the chiller can maintain the close tolerance. Under low loads the chiller will be unable to maintain less than 1°C close tolerance.

Putting the unit in standby mode	
Using the key pad the unit can be put into standby mode if there is a reason to shut the unit down for a short amount of time.	<ul style="list-style-type: none"> • Scroll through the menu to find “KEYPAD STANDBY” • Press “OK” and then “OK TO CONFIRM” The unit will stop running • The screen will be showing “OK TO RE-START” and “KEYPAD STANDBY MODE” will be flashing • Press “OK” and the chiller will go through its normal start up procedure
Note: This does not turn the unit off and the electrical circuitry inside the electrical box will still be live.	

Chiller achieves close tolerance control by using Aqua Cooler PCB to collect high pressure and low-pressure data. PCB uses collected data to calculate suitable hot gas amount and send signal to hot gas solenoid valve.



CHANGING THE CONTROLLERS PARAMETERS

By opening the electrical box the programmable circuit board controller can be seen mounted on the door. The four small red buttons next to the display are the buttons used for changing the parameters in the programming. The two buttons on the left are the [UP] and [Down] scroll buttons. The button top right is the [OK] button and the last button is the [ESC].

Water Supply Temperature	
Setting the water supply temperature – Temperature that the refrigeration system with cut out	<ul style="list-style-type: none"> • Scroll to the parameters menu then to the set points sub menu • Scroll through the menu until “SETPT WATER TEMP” shows • Press “OK” and “SET WATER TEMP” will show and the water temperature will flash • Use scroll keys to adjust up or down and press “OK” again and “NEW WATER TEMP” will show • Press the escape key to revert to home page

Temperature Hysteresis	
Temperature between refrigeration circuits cut out and cut in.	<ul style="list-style-type: none"> • Scroll to the PARAMETERS MENU then to the SET POINTS sub menu • Use scroll keys to find “TEMP HYSTERESIS • Default is 2°C– press “OK” and SET TEMP HYSTER” will show • Use scroll keys to change value and press “OK” • “NEW TEMP HYSTER” will show • Press escape keys to return to home page • NOTE – hysteresis cannot be set below 2°C to prevent compressor short cycling

Compressor Hold Time	
<p>After the cooler has reached cut out temperature and the compressor will turn off. In order to minimise compressor starts there is a rest time. Range: 5 to 180 seconds</p>	<ul style="list-style-type: none"> • Scroll to “PARAMETER MENU” and then to the DELAY sub menu • Scroll to “COMP HOLD TIME” and press “OK” • Value will flash and can be set to minimum of 5 seconds and maximum of 3 minutes – IT IS RECOMMENDED THAT THIS VALUE IS NOT ALTERED TO BELOW THE DEFAULT 2 MINUTES • Press “OK” and screen will confirm choice • Press the escape key to revert to home page

Maximum and Minimum Temperature Limits	
<p>This set a minimum and maximum temperature limit for the chiller and is there to prevent casual operators setting the supply temperature above or below recommended set points. Range: -5°C to 20°C Min 10°C to 30°C Max</p>	<ul style="list-style-type: none"> • Scroll to the PARAMETERS MENU then to the SET POINTS sub menu • Scroll to “MIN TEMP LIMIT” or “MAX TEMP LIMIT” • Press “OK” and “SET MAX LIMIT” will show will value flashing • Select choice and press “OK” and the screen will confirm choice • Press the escape key to revert to home page

High and Low Temperature Stop	
<p>High and low temperature alarm cut out – the unit can be set to go into standby if the high and low temperature alarms are breached and they will stay in standby until the fault is cleared by pressing the “OK” button Range: Yes and No</p>	<ul style="list-style-type: none"> • Scroll to “PARAMETER MENU” then to the SYSTEM sub menu • Scroll to “HIGH TEMP STOP” and “LOW TEMP STOP” and press “OK” • “SET HI TEMP STOP” will show with “YES” and “NO” manu choices • Change as desired, press “OK” and “STOP ON HI TEMP” will show confirming choice • Do same to change low temperature standby • Press the escape key to revert to home page

High and Low Temperature Alarm	
<p>High and low temperature alarm cut out – the unit can be set to go into standby if the high and low temperature alarms are breached and they will stay in standby until the fault is cleared by pressing the “OK” button Range: Low: -5°C to 10°C High 10°C to 40°C</p>	<ul style="list-style-type: none"> • Scroll to “PARAMETER MENU” and to the SET POINTS sub menu • Scroll to “HIGH TEMP ALARM” and “LOW TEMP ALARM” and press “OK” • “SET HI TEMP ALARM” will show temperature choices • Change as desired, press “OK” and “NEW HI TEMP ALM” will show confirming choice • Do same to change low temperature alarm • Press the escape key to revert to home page

Setting Water Flow Alarms	
<p>Setting the alarm for the chilled water and condenser water flow – this setting when breached will place the unit into standby Range: 0-5 L/s</p>	<ul style="list-style-type: none"> • Scroll to “PARAMETER MENU” and to the SET POINTS sub menu • Scroll to “FLOW ALARM 1” for chilled water supply and “FLOW ALARM 2” for condenser water flow • Press “OK” and “CONFIG FL ALM1” will show with the value flashing • Change the value to where the warning needs to be and press “OK” – the alarm rate should be below the value of the warning • The screen will confirm your choice • Press the escape key to revert to home page
<p>Setting the warning for chilled water and condenser water flow. This setting will simply give a warning that the flow rate is dropping – the chiller will still run. Range: 0-5 L/s</p>	<ul style="list-style-type: none"> • Scroll to “PARAMETER MENU” and press “OK” • Scroll to “FLOW WARNING 1” for chilled water supply and “FLOW WARNING 2” for condenser water flow • Press “OK” and “CONFIG FL WARN1” will show with the value flashing – as a rough guide the flow rates for the condenser water and the chilled water should be around 1.4 l/s • Change the value to where the warning needs to be and press “OK” • The screen will confirm your choice • Press the escape key to revert to home page

Setting High Pressure (HP) Alarms and Warnings	
<p>Controller will send out and warning at warning pressure and shut unit down at alarm pressure Range: 2000 – 4000 kPa for both</p>	<ul style="list-style-type: none"> • Scroll to “PARAMETER MENU” and to the SET POINTS sub menu • Scroll to “ HP Warn Press” • Press “OK” and choices will be shown • Select choice and press “OK” and the screen will confirm choice • Press the escape key to revert to home page • Scroll to “PARAMETER MENU” and press “OK” • Scroll to “ HP ALM Press” • Press “OK” and choices will be shown • Select choice and press “OK” and the screen will confirm choice • Press the escape key to revert to home page

Setting Fan Speed Control	
<p>If fan speed controllers are installed the minimum run speed (20%) and max run speed (100%) can be set again corresponding discharge pressures</p>	<ul style="list-style-type: none"> • Scroll to “PARAMETER MENU” and to the SET POINTS sub menu • Scroll to “Fan Min SP Pressure” • Press “OK” and change required pressure • Select choice and press “OK” and the screen will confirm choice • Press the escape key to revert to home page • The same procedure is followed to set “Fan Max SP pressure” <p>Note – of fan speed controller are being retrofitted to a unit then the fan speed option will have to be activated in the parameters menu.</p>

Setting Alarm Acknowledge Delay	
<p>Range 0-120 Minutes</p>	<ul style="list-style-type: none"> • Scroll to “PARAMETER MENU” and press “OK” • Scroll to “ALM ACK DELAY” • Press “OK” and change to setting • Select choice and press “OK” and the screen will confirm choice • Press the escape key to revert to home page <p>It is recommended that the setting is not greater than 1 or 2 minutes</p>

Tandem Installation	
Assigning the chillers into a single or tandem set installation	<ul style="list-style-type: none"> • Scroll to “PARAMETER MENU” and then to the SYSTEM sub menu • Scroll to “SINGLE/DUAL AUTO” and press “OK” • Change set up to “DUAL AUTO OPER’N” and press “OK” • The screen will confirm your choice • Press the escape key to revert to home page <p>Note – This only need be done on the master chiller</p>
Assigning chiller role – Master or Slave	<ul style="list-style-type: none"> • Scroll to “PARAMETER MENU” and then to the SYSTEM sub menu • Scroll to “MASTER/ SLAVE” and assign one chiller the master chiller and one chiller the slave chiller • Screen will show “SET MASTER/ SLAVE” and change to whichever one is which and press “OK” • The screen will confirm your choice <p>Press the escape key to revert to home page</p>
Duty Cycle Time	<ul style="list-style-type: none"> • Scroll to “PARAMETER MENU” and then to the SYSTEM sub menu • Scroll to “CYCLE CHANGEOVER” and press “OK” • ‘SET CYCLE PERIOD” will show and the choices are “OFF” where there will be no duty cycling at all but the chillers will still a ct in tandem – ie of one develops a fault it will start the other up. “10 MIN CYCLE TEST” which will duty cycle chiller every ten minutes – this is more for installation testing and will revert to a weekly cycle after to 2 hours and “WEEKLY CYCLE” which will duty cycle the chillers weekly. Note that if chillers are to switch at a set time every week then the timer will need to be set as mentioned above • Press the escape key to revert to home page
Weekly Timer Reset	<ul style="list-style-type: none"> • Scroll to “CYCLE TIMR RESET” on the home screen • Press “OK” and “ZERO CYCLE TIMR” and “PRESS OK” • “NEW CYCLE STARTED” will show and the clock will reset • At any time during the week the timer can be viewed to see how long to changeover

FULL SETTING LIST

Some of the settings are not for this model of chiller and it is recommended that THEY ARE NOT altered without a full understanding of the chillers programming or without checking with Aqua Cooler first. The settings reflect Aqua Cooler recommended setting for the installation ordered. If at a later time another chiller is installed in tandem or the chiller is added to a multiple chiller set them some of the setting may change.

For Hydra chiller series, the number of supply pump is 2.

For Titan chiller series, the number of supply pump is 1

FRONT PAGE	MAIN MENU	SUB MENU
AQUA COOLER	VIEW INFO	CURRENT IP
		CURRENT TIME
		SOFTWARE VERSION
	VIEW TEMPS	CH W SUPPLY
		CH W RETURN
		AMBIENT TEMP
	VIEW PRESSURES	SUCTION PRESSURE
		DISCHARGE PRESSURE
	VIEW FLOWS	FLOW RATE
	VIEW SPD VALVE %	PUMP SPEED
		COMPR SPEED
		FAN SPEED
		BALL VALVE OPEN
	VIEW HUMID HT LD	HEAT LOAD
	VIEW ON TIMES	COMPR TIME ON
		PUMP TIME ON
		CYCLE TIMR RESET
	KEYPAD STANDBY	KEYPAD STANDBY
	PARAMETER MENU	SYSTEM MENU
		SENSORS MENU
SET-POINTS MENU		
DELAY/HOLD MENU		
SET TIME MENU		
EMAIL/LOGS MENU		

PARAMETER MENU			
SYSTEM MENU			
KEYPAD TIME LOCK	ON	SPRAY COOL	OFF
ALARM INDIC	STEADY ALM INDIC	MODBUS LINK LAYER	Ethernet TCP
SNMP DATA	FRACTIONAL	AUX INPUTS	N/O Not Latched
LOW TEMP STOP	YES	HIGH TEMP STOP	NO
RUN PUMP on STOP	YES	CLR WARN on STOP	NO
DISCH PR FAN SP	ON-LOW-FULL SP	VAR SPEED FUNCTION	OFF (ON for VSD option)
No. HE SENSORS	0 HE SENSOR	No. FAN BANKS	1 FAN BANK
No. SUPPLY PUMPS	1 PUMP (1 for HYD&TTN)	No. REFRIG CCTS	2 REFRIG CCTS
No. COMPRESSORS	2 COMPR'S	COMP ON T STAGING	OFF
CLOSE TOLERANCE	OFF	COMP LOAD SHARE	ON (OFF for VSD option)
STOPon COMP FAIL	NO	DEWPOINT CONTROL	OFF
CYCLE CHANGEOVER	WEEKLY CYCLE	MASTER /SLAVE	MASTER
SINGL/MULTI AUTO	MULTI CYCLE OP'N	FULL PWR NTWK FL	NO
NETWORK CONTROL	OFF		
EMAIL/LOGS MENU			
EMAIL TX TRIGGER	OFF	DATA LOG PERIOD	60 Seconds
MANAGE DATA LOG	OFF		
SET TIME MENU			
TIME ZONE	Set after install	ADJUST CLOCK/MTH	Set after install
TIME	Set after install	WEEKDAY	Set after install
DAYof MONTH	Set after install	MONTH	Set after install
YEAR	Set after install	SUMMERTIME ON/OFF	Set after install
DELAY/HOLD MENU			
ALARM ACK DELAY	10 Seconds	UNLOAD HOLD TIME	15 Seconds
COMPR OFF CYCLE	30 Seconds	COMPR ON CYCLE	30 Seconds
COMPR HOLD TIME	120 Seconds	COMPR STRAT TIME	3 Seconds
PUMP RUN ON TIME	0 Seconds	PUMP DELAY TIME	5 Seconds
HT ALM ACK DELAY	30 Seconds		
SET-POINTS MENU			
SETPT WATER TEMP	7°C	SUPPLY FLOW ALM	0.10 Litre/s
SUPPLY FLOW WARN	0.10 Litre/S		
LO PR PROTECTION	80 kPa	LP HYST PRESS	200 kPa
LP ALM PRESSURE	80 kPa with R134A 200 kPa with R407C 100 kPa with R410A	LP WARN PRESS	100 kPa with R134A 300 kPa with R407C 200 kPa with R410A
HI PR PROTECTION	2750 kPa	HP HYST PRESSURE	600 kPa
HP ALM PRESSURE	2300 kPa with R134A 2750 kPa with R407C 3500 kPa with R410A	HP WARN PRESS	2200 kPa with R134A 2600 kPa with R407C 3300 kPa with R410A
FAN MAX SPEED PRESSURE	2000 kPa with R134A 2200 kPa with R407C 2200 kPa with R410A	FAN MIN SP PRESSURE	1200 kPa with R134A 1500 kPa with R407C 1500 kPa with R410A
HYST SPRAY COOL	200 kPa	HP SPRAY COOL	2600 kPa
SLAVE TMP OFFSET	-2 °C	SETPT AMB O-TEMP	44°C

MAX TEMP LIMIT	20 °C	MIN TEMP LIMIT	5 °C
RTN W LO TMP ALM	2 °C	RTN W HI TMP ALM	30.0 °C
SUP W LO TMP ALM	2 °C	SUP W HI TMP ALM	30.0 °C
BALL VLV INTGL	200	BALL VLV GAIN	200
BL VLV MIN OPEN	20 Percent	PID DAMPING	30
CLOSE TOL TEMP	1.0 °C	PULL DN Per Min	0.6 °C
LAST OFF HYST	0.5 °C	TEMP HYSTERESIS	2.0 °C
SENSORS MENU			
SEC SUPPLY CALIB	See Procedure	SUPPLY PIPE SIZE	DN25 (See Procedure)
FLOW SENSOR	LITRES/S SENSOR	SUPPLY FLOW CAL	0.60 x Input
CCT2 DIS PR SIZE	0-30 bar 4-20mA	CCT1 DIS PR SIZE	0-30 bar 4-20mA
CCT2 SUCT P SIZE	0-30 bar 4-20mA	CCT1 SUCT P SIZE	0-30 bar 4-20mA
HUMIDITY SENSOR	0-5V (See Procedure)	HUMIDITY CALIB	0 %
AMBIENT CALIB	See Procedure	SEC RETURN CALIB	See Procedure

ADVANCED CONTROLLER FUNCTIONS

The units can use Modbus/BACnet via RS485 or TCP/IP using the Ethernet port. The default IP address of our chillers is 10.1.1.130. So you'll need to configure a laptop or computer to be on the same subnet then open a web browser to the web interface at <http://10.1.1.130:8076>

Navigate to 'Network' to change the chiller's network settings. To change between RS485 and TCP/IP go to the controller, Parameter menu – system menu – Modbus link layer – ok – change to your preferred protocol. The detailed steps are presented below.

If you wish to use TCP/IP and need to change the chillers IP address:

1. Connect a laptop directly to the chiller using Ethernet cable
2. Alter your PC network settings so you are on the gateway 10.1.1.1 and subnet 255.255.255.0
3. Open web browser and head to <http://10.1.1.130:8076>
4. Click on "Network", it will ask for a password – username is "techcooler" and password is "techwater"
5. Here you will see all of the chillers IP address settings etc and update as needed. Change any settings you need and before you hit "save network confirm" put the Save Password "aquaipconfig" without quotes into the box.
6. You can find the default chiller BACnetIP (BIP) Device Number (2012), ModBus RTU Slave Addr (1-247) head in the Chiller ID tab. Again, use the save password "aquacustomer" as the password.
7. Then edit the page to the new IP address details for the chiller – again ensuring you enter the password "aquaipconfig" into the save password box.
8. Some other systems settings can be changed remotely. Go the "Control" tab and enter the password "aquachiller" and this will allow the user to send commands to the chiller.

DOWNLOADING DATA LOG

The chiller is automatically storing data on its operational parameters and performance. In the event that there is a problem with the chiller this data may become useful for diagnosis.

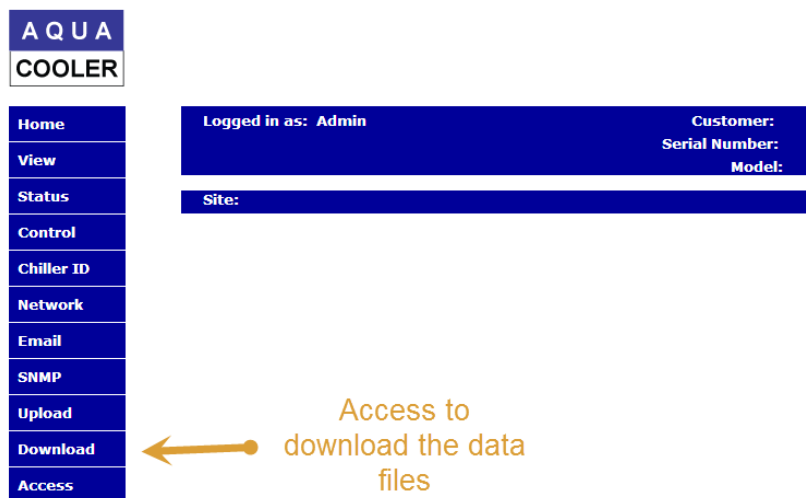
The operational data can be downloaded from the controller by using a USB flash drive there are two types of files on the system – and event log and a time log. The event log takes reading every time there is an event change, compressor on or off for example. The time log saves data every set time period. The default is every 10 minutes but this can be set as low as every 2 minutes. At 10 minutes intervals there is over a week of data saved on the board. The parameters that are logged are the supply, return and ambient temperatures, the suction and discharge pressures and the water flow rate. All changes of state are also logged on the inputs and outputs. Using this data is a good way to check the effective running of the chiller and to help with diagnosis when a service visit is needed.

To Download via USB:

1. Insert a USB key into the USB key on the rear of the circuit board controller.
2. Go to the PARAMETERS MENU and press OK. Scroll to EMAIL/LOGS MENU and press OK. Then scroll to MANAGE LOG DATA LOG and press OK.
3. There a number of options in the sub menu (SET LOG START) – the most useful are TIME LOG TO USB and EVENT LOG TO USB. Press OK and the data will start to upload – the screen will confirm when the process is complete.
4. The process has to be done twice – once for each file.
5. Putting the USB into a computer will show the folder labelled “AQUA” and inside this will be a excel data file. The excel file will have labels for all the data that has been logged – the newest data will be at the top.

NOTE: the shorter the time between readings the less history the system can record. 10 mins should give approximately 3 weeks of data logging – 10 second intervals will only give 24 hours of data logging and the logging drops the old files off the end so if the unit has a problem and it takes more than one day to get to site then the relevant data will be gone.

The other way to download the data is via webpage – to “advanced” tab on the webpage and then to the download tab – the drop down list will then give you the option of downloading the files.



The controller will ask you to save the file somewhere.

Calibration of Sensors-Aqua Cooler Controller

The temperature sensors will be calibrated before dispatch but in the even one needs to be replaced then it is a good idea to recalibrate the sensors as they effect the operation of the chiller.

1. Scroll through the controller to parameters menu
2. Scroll down to the Sensor Menu sub- menu
3. Scroll through to the ambient, supply or return calibration
4. Place the sensor and a calibrated thermometer together and allow the temperature to settle
5. Press OK and the value will flash. Use the up and down scroll buttons to calibrate the sensor to the thermostat and press OK again
6. Exit the program

Updating Software

The chiller is dispatched with the latest firmware always installed however should a software upgrade be required then it can be done simply by following the instruction below.

- Firmware and USB

The firmware will be emailed, and it will have a HEX extension at the end of the file. For example, U243_56_EB4_210.hex. Upload this file onto the USB stick making sure it is the only HEX file in the root directory of the USB stick.

- Set PCB to updating mode

Hold “Down” and then press “Reset” button. PCB screen will show [Aqua Cooler Boot: F/W: (Current Firmware)] and then change to [Aqua Cooler Boot: Await USB File]

- Insert USB

Insert the stick into the USB port of Aqua Cooler controller – controller will look for the file automatically and start the upload. The screen will confirm upload in progress and confirm when it is complete. It should take about 30 seconds. None of the setting in the controller will change except the feature that the upgrade is improving, adding or fixing.

- BMS system and internet connection

For units that are connected to the internet or to a BMS system the BIN file will need to be updated as well to the corresponding issue number. Using a laptop connect to the Aqua Cooler controller via the Ethernet card in the rear of the controller.

Open a browser with <http://10.1.1.130:8076/mpfsupload> OR if the controller has already been configured to a unique IP address then use this address. Use the BROWSE key to retrieve the BIN file saved to your computer or USB key. Once this is uploaded the page will show a tab with “Site

Main Page” on it. Click on this and it will direct you to the main monitoring page for the chiller. The instructions are above for moving further into the control and monitoring of the chiller.

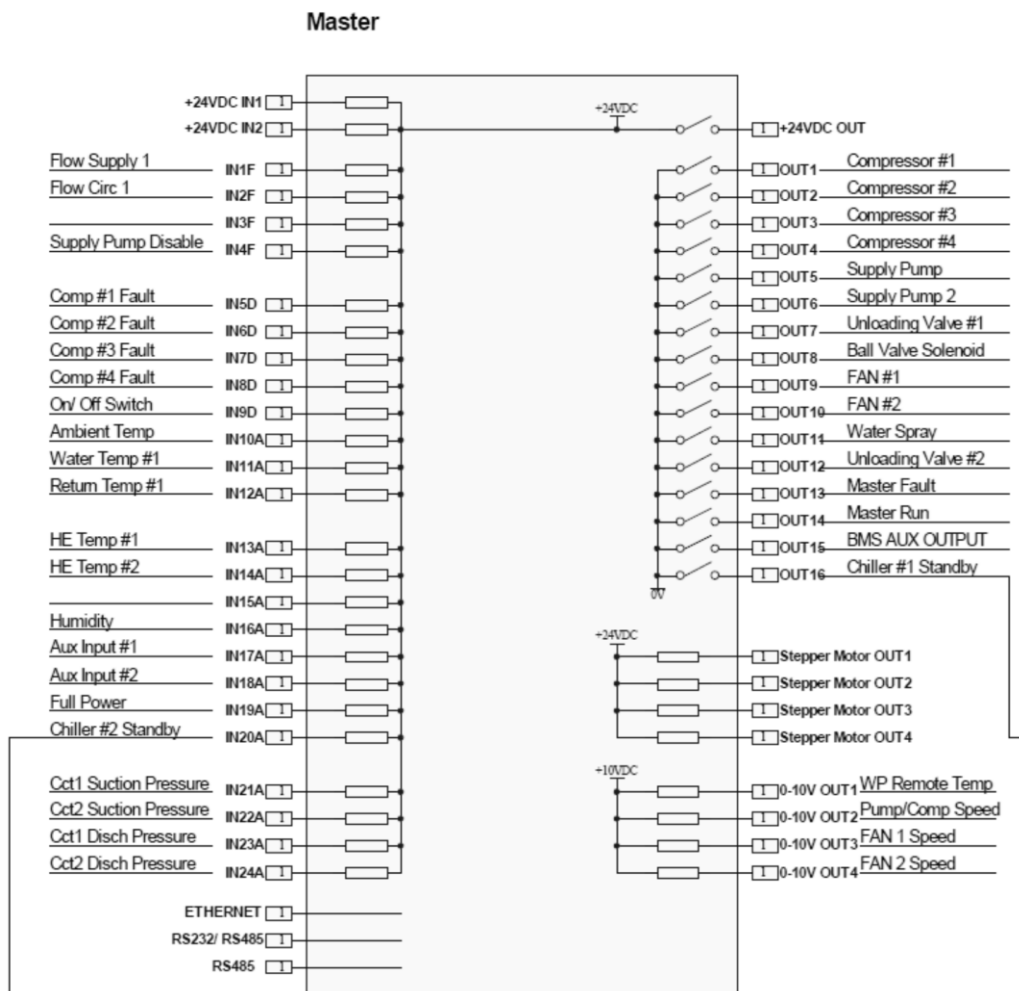
The IP address of the unit can be found by scrolling to the INFO menu on the home screen of the controller.

- Set time, date, and year

In the parameter menu there is time, date and year menu lines that can be set (see the service section for instructions) in order that the data log periods, and the email alarms are time relevant.

There are other parameters in the programming menu: Some are used in some of the other options. The setting should not be altered altering the parameters not relevant to the operation of your chiller may affect its performance and required an out of warranty service call.

Controller Input and Output Schematic



Connector	Type	Control
Outputs – OUT1 to OUT16 across the top of the board.		
OUT1	24VDC	1 Compressor #1
OUT2		2 Compressor #2
OUT3		5 Supply pump #1
OUT4		6 Supply pump #2
OUT5		7 Unloading valve compressor #1
OUT6		8 Ball valve solenoid
OUT7		9 Fan #1
OUT8		10 Fan #2
OUT9		11 Water spray
OUT10		12 Unloading valve compressor 2
OUT11		13 Master fault
OUT12		14 Master run
OUT13		15 BMS AUX Output
OUT14		16 Tandem link enable/ Status
MOUT1		Stepper Motor OUT1
MOUT2		Stepper Motor OUT2
MOUT3		Stepper Motor OUT3
MOUT4		Stepper Motor OUT4
OUT1 (Beside IN24)	0 to 10V Output	
OUT2 (Beside IN24)	0 to 10V Output	Pump/Comp Variable speed drive
OUT3 (Beside IN24)	0 to 10V Output	Fan speed control – fan bank 1
OUT4 (Beside IN24)	0 to 10V Output	Fan speed control – fan bank 2
Inputs – IN1 to IN24 across the bottom of the board.		
IN1	0-10V Input	Supply Pump Flow Meter
IN2	0-10V Input	Circulating Pump flow meter
IN5	0-10V NC Input	Compressor 1 fault input
IN6	0-10V NC Input	Compressor 2 fault input
IN9	0-10V NC Input	ON/OFF Switch
IN10	NTC Thermistor	Ambient temp
IN11	NTC Thermistor	Chilled water supply temp
IN12	NTC Thermistor	Chilled water return temperature
IN13	NTC Thermistor	Plate pack safety sensor 1
IN16	4-20mA Input	Humidity sensor
IN17	0-10V N/O AUX Fault Input	Auxiliary fault input 1
IN18	0-10V N/O AUX Fault Input	Auxiliary fault input 2
IN19	0-10V N/O Input	Switch to allow half chiller to run on full power – 2 compressor models only
IN20	0-10V N/O Input	Tandem link input
IN21	4-20mA input	Suction pressure sensor – circuit 1
IN22	4-20mA input	Suction pressure sensor – circuit 2
IN23	4-20mA input	Discharge pressure sensor – circuit 1
IN24	4-20mA input	Discharge pressure sensor – circuit 2

TROUBLESHOOTING

In the event the chiller develops a fault then the fault is displayed on the screen readout on the control board. The faults displayed are comprehensive but not fully descriptive.

Symptom	Possible Causes	Solutions
Low Flow Alarm	Faulty Pump	Replace Pump ensuring new pump has been leak tested, phase wiring is around the right way
	Blockage on water circuit of chiller installation	Check water flow is coming back through to chiller. Water line isn't isolated down the line. Water strainer is clean and clear (if installed in water pipe work. If plate pack evaporator is used check there is flow through the heat exchanger. If blocked replace heat exchanger.
		Faulty electrical contractors – check operation and replace if necessary
	Work Around	Set water flow alarm and protection to 0 while you test unit. (if unit has plate pack isolate compressors while testing)
Faulty Flow meter	Check flow meter spindle if free and not stuck, flow meter has voltage (24vdc) wiring connections are not loose. By-pass is not fully open.	
Compressor Fault	High head pressure – HP alarm tripping	Check head pressures when the unit is running. Possible causes blocked condenser – check for dust or debris build up and clean. Refer to “Poor Heat Dissipation” section.
		Dead or dying fan – check amp draw of fans or air flow. Replace if needed
		Too high a heat load for the rating of the unit. Check install and site specifications
		Bad installation or too high ambient – check that there is no other equipment in the vicinity that may be throwing heat onto the unit or that the unit has not been installed improperly
		Faulty HP transducer or HP switch - replace
	Low pressure – LP alarm tripping	Flow rate from pump may be too low
		TX valve may have seized
		Unit may have developed a refrigeration leak and lost gas charge – check pressures or run leak detector over the unit.
		Outlet water temperature and evaporator temperature too low. Check whether there is a lack of water in the water tank and whether the circulating pump is running well. If those are normal, reset the low pressure switch or restart the unit. If the evaporator is frozen, input warm water to melt the ice. Do not attempt to break the ice off with force.
	Work Around	Motor protection module in compressor tripped Motor running too hot – return water may be too high in-rush of heat load. Compressor drawing too much current
Multi compressors	For multiple compressor units, Second compressor should still be running and carrying much of the heat load. Once the faulty compressor is fixed then the programming will have to be updated as the program will have defaulted to another setting to keep the unit running. On the screen go to “PARAMETERS MENU” and press “OK” Scroll to SWITCH ON FOR NEXT C” – “TIMER” should be showing underneath this. Press “OK” and scroll to “FIXED HEAT LOAD” and press “OK”. The screen should confirm your choice	
No Power	Main breaker off	Check main breaker is on, If on and no power have a qualified person test power to the unit.
PCB blank	No mains power	Check main breaker is on, If on and no power have a qualified person test power to the unit

	No control voltage	Check PCB has 24vdc to controller. If power is present replace PCB
C1 FLT Fault	Safety switch open	Check operation of safety switches (circuit that connects to input 2) Check Hp, LP, water level switches are made. Fan/pump and compressor overloads are made.
	Work Around	Bridge out components one after the other and test to see when unit doesn't trip.
HP Fault	Faulty Fans	Check operation of condenser fans. Replace if faulty.
	Condenser coil dirty	Check condition of condenser is clean and air moves through freely over coil.
	Ambient Temperature to High	Ambient temp to high. Condensing temp to be brought down. (Spray coils with water)
	Faulty transducer	Check operation of transducer/ reading correctly
LP Fault	Low refrigerant charge	Check refrigerant system operation, check super heat and sub cooling are with in normal operating ranges
	Faulty Tx Valve	Check operation of Tx valve (opening and closing as required)
	Low water flow	Check water flow through plate pack heat exchanger is sufficient
	Water fouling	Check buffer tank and coil water is clean and coil not coated in mud/debris
	Faulty transducer	Check operation of transducer/reading correctly
High Return Water Temp	Faulty Probe	Check probe operation/Re-calibrate sensor, replace probe
	Low refrigerant charge	Check refrigerant system operation, check super heat and sub cooling are with in normal operating ranges
High Supply Water Temp	Faulty probe	Check operation of transducer/reading correctly
	Low refrigerant charge	Check refrigerant system operation, check super heat and sub cooling are with in normal operating ranges
High Ambient Temp	Faulty probe	Check operation of transducer/reading correctly
	Air Re-circulation	Check condenser air is not recirculating back over the condenser coil
Low Return Water Temp	Faulty probe	Check operation of transducer/reading correctly
	Low Water Flow	Check water flow through plate pack heat exchanger is sufficient Check pump operation. Replace pump if at fault
	Low refrigerant charge	Check refrigerant system operation, check super heat and sub cooling are with in normal operating ranges

Poor Heat Dissipation

While the condenser heat dissipation is poor, the compressor will be inefficient and the operating current will be increased. When the chiller reaches the high pressure value (set depending on the chiller type and refrigerant used), the high pressure switch will trip an alarm and the unit will stop working. This can be caused by poor heat dissipation. For air-cooled chillers, confirm that the condenser is not dirty or choked and have a good airflow. Once the above conditions are checked to be in normal condition, clear the alarm. If the high pressure alarm is frequently occurring, clean the condenser as soon as possible.

Low Refrigerant

If the pressure at the gauge is pressure low, it may indicate a shortage of refrigerant. Any leaks should be filled, the dryer filter should be changed, and it should be drawing a vacuum again. Refill the refrigerant after the above has been performed.

If the leaking part is within water, stop the chiller immediately and discharge the water in the water tank quickly. The compressor can be damaged badly if it sucks in water.

Low and High Pressure Difference

While the compressor is running, if the difference between high pressure and low pressure is small, it may indicate the piston inside the compressor is damaged. If this is detected, the unit should be stopped immediately. It is normal for the pressures to be similar if the compressor is not running.

Compressor Not Starting

If the fault indicator and the protection switch are normal, but the compressor will not start, please check the following:

1. The set temperature is too high or the temperature sensor is damaged
2. The PCB button is damaged
3. The anti-freezing switch is damaged
4. The pressure switch is damaged
5. The overload protector of the compressor is damaged
6. The electromagnetic relay is damaged or the overload protector is damaged
7. The water level is too low
8. The refrigerating water protecting switch is damaged

MAINTENANCE

Warning

- Always isolate the power from the chiller prior to working on the unit.
- Always ensure that personnel have read and understood the SAFETY section of this manual prior to working on the chiller.
- When the mains controller is de-energised the power contactors are live, even if the components are not operating. All maintenance must be carried out by qualified refrigeration mechanics.

These units have been designed for the minimum of maintenance. However to ensure optimum performance qualified personnel should carry out regular maintenance. A comprehensive preventative maintenance program is available through Aqua Cooler carried out by qualified refrigeration mechanics. If there is any fault or concern during daily operation, please contact Aqua Cooler to arrange a service call.

Recommended Preventative Maintenance Program

A comprehensive preventative maintenance section is included in the back of this manual

Operation	Frequency
Refrigerant Charge	6 Monthly
Electrical connections are tight	6 Monthly
Compressor amp draw	12 Monthly
Pump amp draw	12 Monthly
Condenser strainer cleaned	6 Monthly

WARRANTY

Any claim under this warranty must be made within the discussed time period of the date of purchase of the product. To make a claim under the warranty, return the product (with proof of purchase) to the supplier where you purchased the product or contact Aqua Cooler regarding warranty conditions.

Aqua Cooler will pay your reasonable, direct expenses of claiming under this warranty. You may submit details and proof of your expense claim to Aqua Cooler Pty Ltd for consideration. This warranty is given by Aqua Cooler Pty Ltd, U14, 2-12 Knobel Court Shailer Park 4128 QLD.

This warranty is provided in addition to other rights and remedies you have under law: Our goods come with guarantees which cannot be excluded under Australian Consumer Law. You are entitled to replacement or refund for a major failure and to compensation for other reasonably foreseeable loss or damage. You are also entitled to have the goods repaired or replaced if the goods fail to be of acceptable quality and the failure does not amount to a major failure.

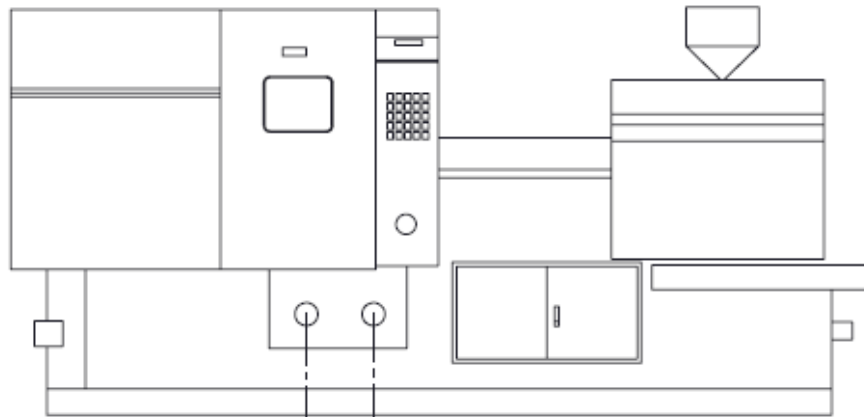
A comprehensive commissioning procedure is attached in the end of the manual. This must be carried out in accordance with the procedure and returned to Aqua Cooler at support@aquacooler.com.au. Aqua Cooler offers a commissioning program and can arrange this for you. Failing to follow the commissioning procedure may void this warranty.

GENERAL APPLICATION

The chiller is designed to refrigerate and circulate water to a heat developing process to aid in keeping that process cool. They are supplied with an immersed coiled copper evaporator, or plate heat exchanger, or shell&tube evaporator (model dependant) an air cooled condenser and a scroll compressor to circulate the refrigerant gas. Water is circulated out of the unit via a pump. The chiller is design to be installed outdoors and refrigerate water for a heat developing process – not for drinking or food preparation purposes. Any other use of this water chiller is a not as it is intended.

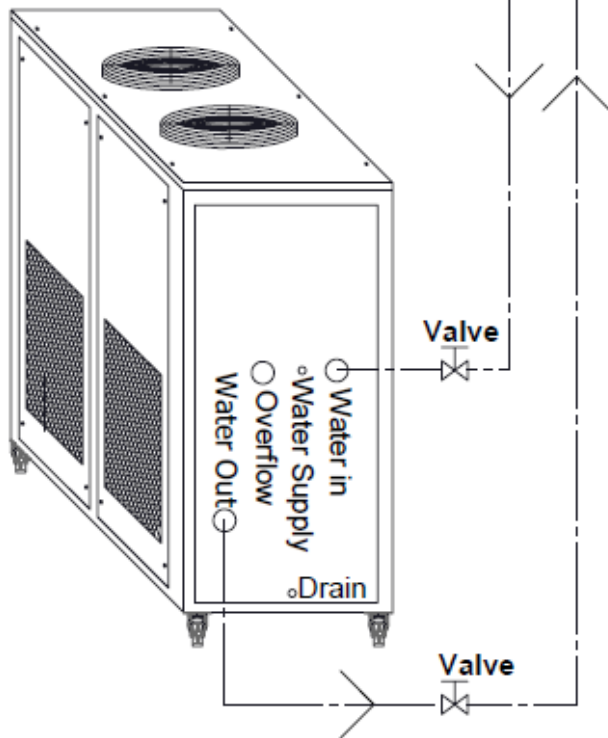
Installation Sketch Map of Air Cooled Chiller

Customers Equipment/Process

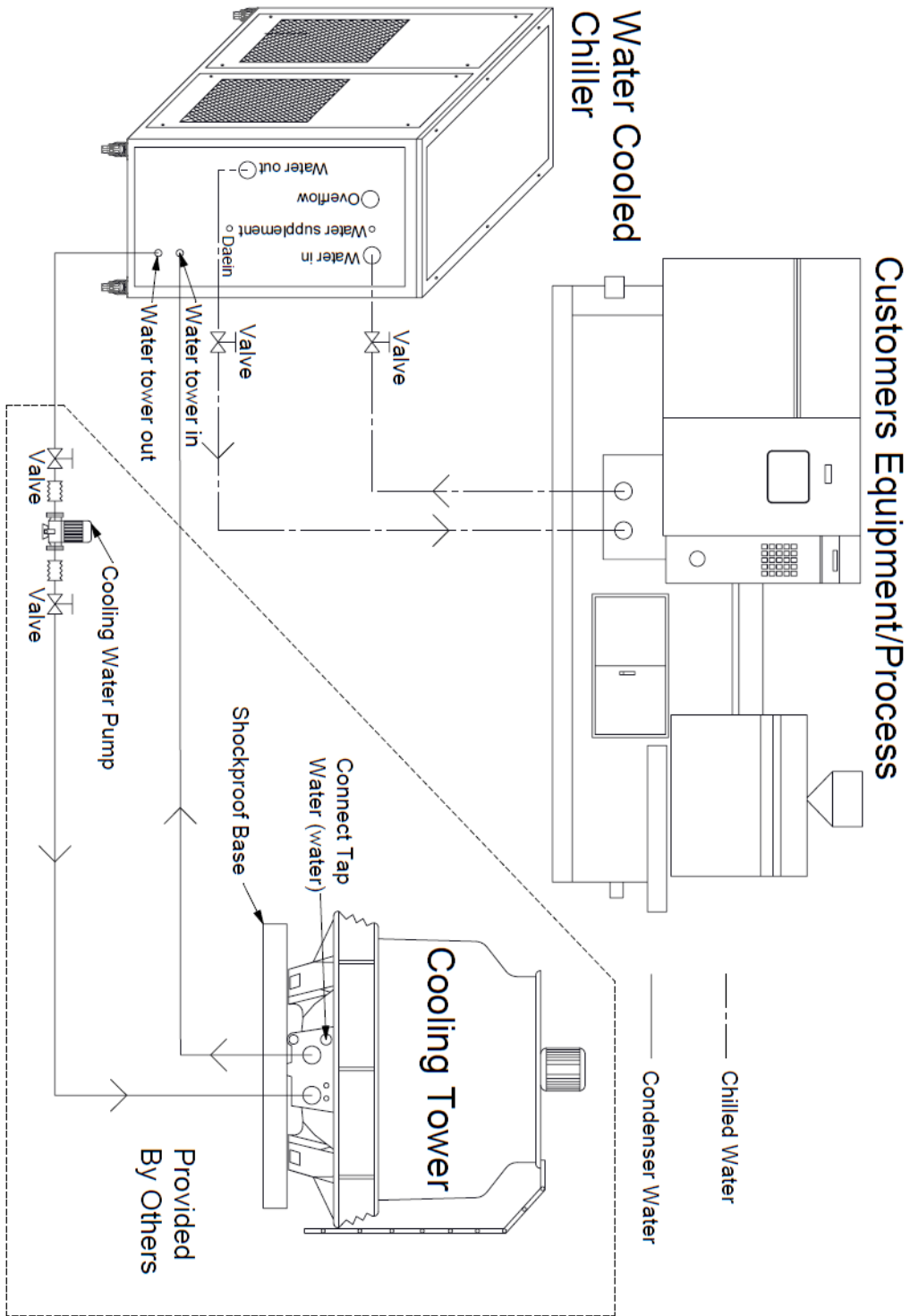


----- Chilled Water

Air-cooled Chiller

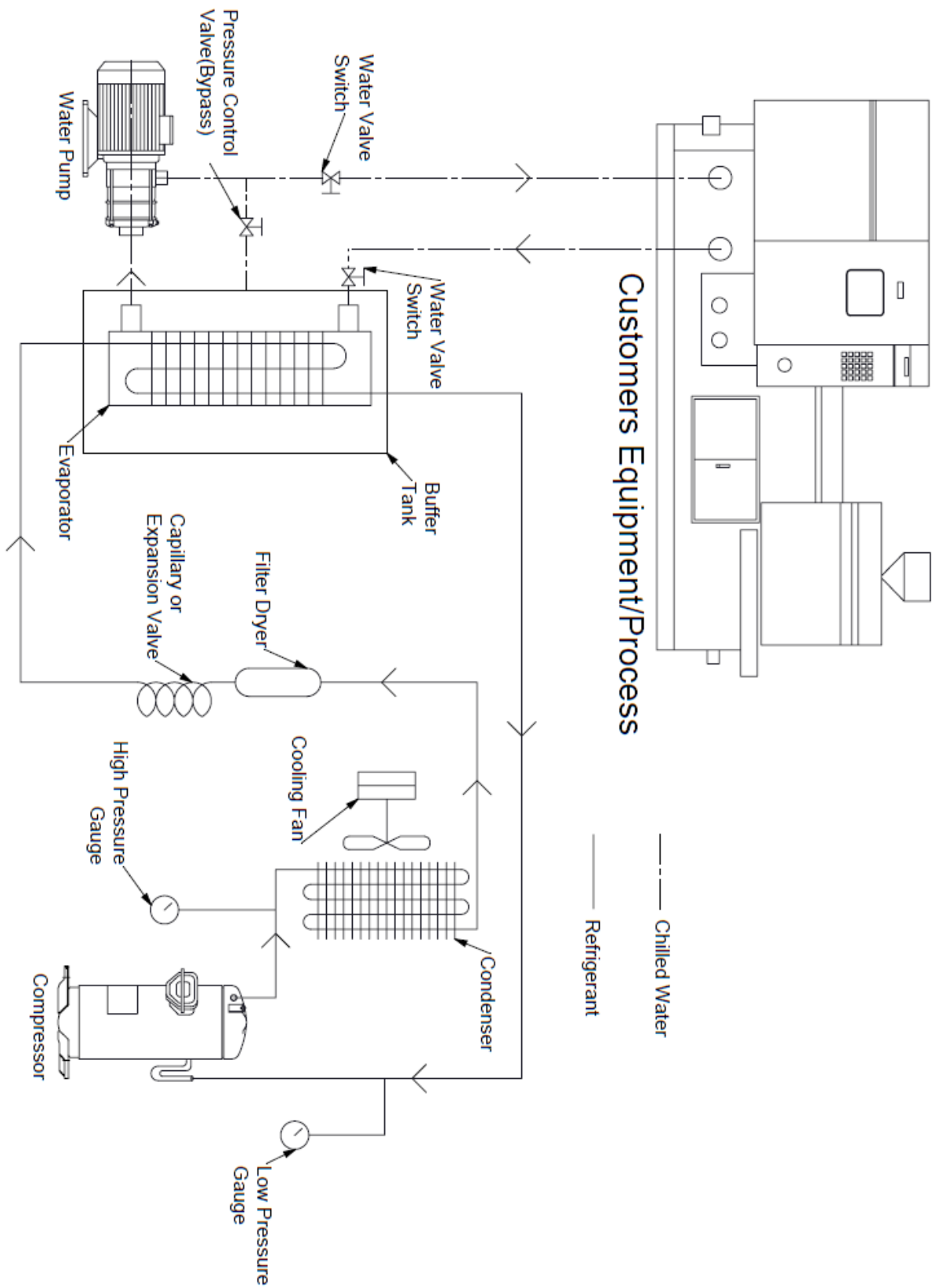


Installation Sketch Map of Water Cooled Chiller



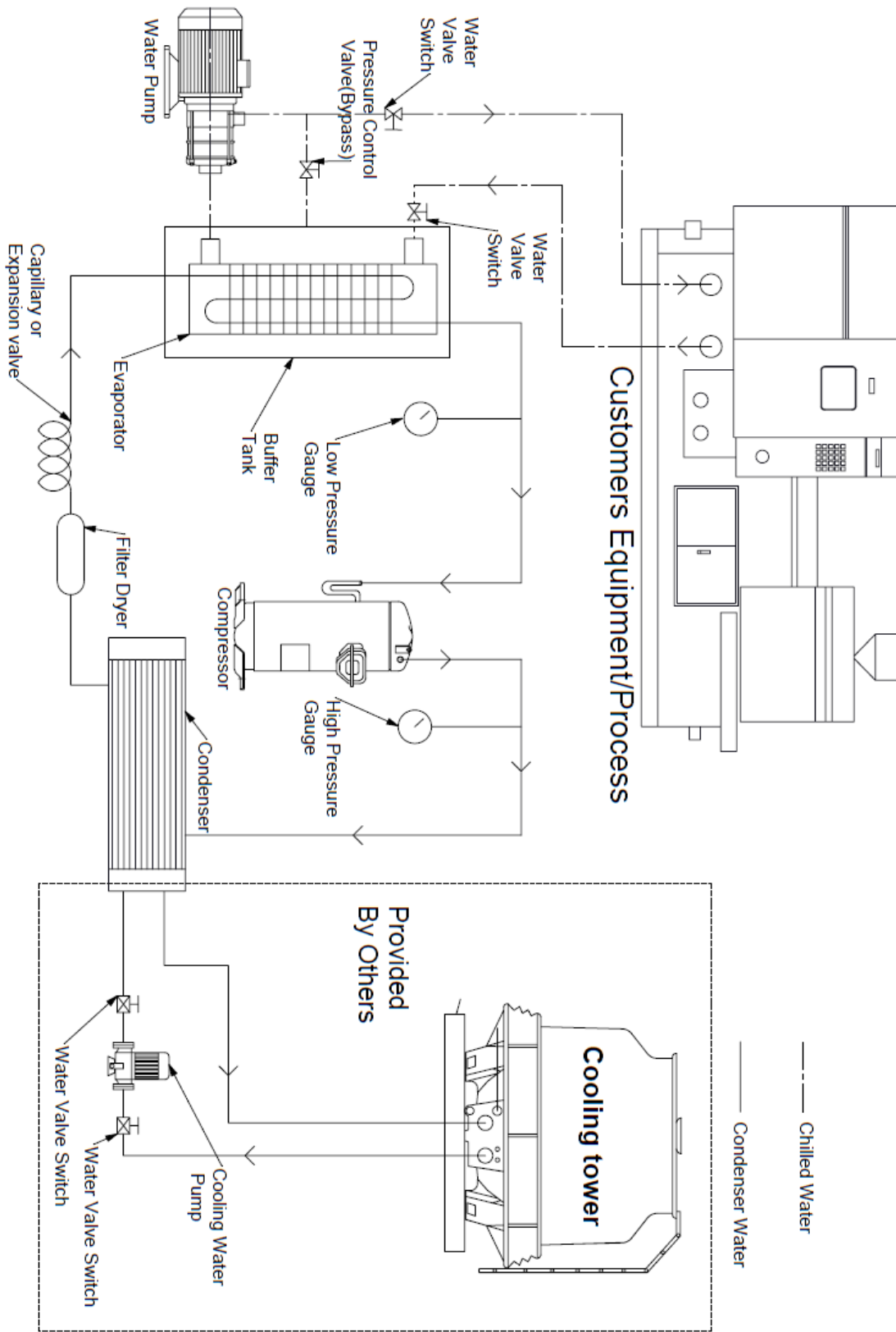
Internal Structure Sketch Map of Air Cooled Chiller

HYDRA series have two compressors (two refrigeration circuits) and two pumps (two water circuits) for redundancy.



Internal Structure Sketch Map of Water Cooled Chiller

HYDRA series have two compressors (two refrigeration circuits) and two pumps (two water circuits) for redundancy.



COMMISSIONING SHEET

It is important that the chiller is commissioned in accordance with the guidelines in the end of the manual in order to ensure proper and trouble free operation. Outlined below is a check list showing all the considerations that must be taken for the proper installation and operation of chillers. Please print out the table and check through it one by one. Please take a photo of the completed table and send it back to us.

Customer and On Site Requirement			
Required Capacity:	kW	Rated Ambient Temp:	°C
Rated Supply Temp:	°C	Rated Flow Rate:	L/s
Customer:			
Address:			
Machine Information			
Chiller model:		Chiller Serial Number:	
Program Version:		Power – Voltage	V
Connect Pressure Gauges to Suction and Discharge Lines			
Suction Pressure (LP):	kPa	Discharge Pressure (HP):	kPa
Refrigerant Leak Test:			

Pump (YES/NO)			
Pump Running Check:		Pump Rotation check:	
Water Leaks Check:		In Line Filtration:	
Water Pressure:	kPa	Performances fall on the respective pump curve:	
Water bypass Check:			
Fans (YES/NO)			
Fan Rotation check:		Condenser Fans Current	Amp
Fan speed control:			
Chiller Water Circuit Requirements (YES/NO)			
Pipe Size:	inch	Pipe Insulation:	

Length:	m	Height Difference:	m
Balancing Valve:		Isolation Valves:	
Water Treatment:		Make Up Water:	
Treatment Used and Others Notes:			

Operation Testing: (YES/NO)			
Ambient Temp:	°C	Water Set Point:	°C
Temp Controller Reading Check:		Fault Buzzer/Light Works:	
Sight Glass Clear:		Unit Handles Heat Load:	
On/Off Button Works:		Check Oil level on the compressor sight glass.	
Operation Testing – Current:			
Chiller Running Current:	Amp	Pump 1 Current	Amp
Compressor 1 Current:	Amp	Pump 2 Current (if fitted)	Amp
Compressor 2 Current (if fitted)	Amp	Redundant pump (if fitted)	Amp
Pump 1 Flow Rate:	L/s	Condenser Fans Current	Amp
Pump 2 Flow Rate: (if fitted)	L/s		

Installation and Build Check (YES/NO)			
Any damage from transport		Adequate clearance around and above	
Electrical isolation switch		Inside chiller clean	
Panels are clean		All settings to factory default	
Pipes to the process		All marking in place	
Panels secure		Electrical wiring is tight	

Electrical box secure		Electrical box tidy	
Water drained from unit		Correct manual sent with chiller	
Water pipe with insulation		Earth connected	
Ensure power connection between chiller and condenser is secured. (Remote condenser)		Wire routing clear of hot spots, sharp edges and screws	

Commissioning by:			
Inspected by:		Company:	
Contact number:			
Installation site:			
Business name of site:		Site contact name:	
Site contact phone no.:		Sit contact position	
Note regarding to refrigeration cycle:		Note regarding to water cycle and application:	
Completion:			
<p>Aqua Cooler uses the information from this data sheet to confirm that the chiller is installed and operating correctly. Should any problems or issues be raised as a result of this preventative maintenance procedure then Aqua Cooler will take steps to address them with the customer, ensuring that the chiller operates reliably and without compromise to the long service life we expect of our products. We appreciate any feedback given as all data is used to influence our continual product development program.</p>			
Date:		Agent print name:	
		Agent signature:	
Date:		Customer representative print name:	
		Customer representative signature:	
Filing – Aqua Cooler:			
Date:		Print name:	
		Signature:	

PREVENTATIVE MAINTENANCE PROCEDURE

Customer requirements pre-site visit:

- Ensure chiller is accessible and work area is safe.
- Provide details on any site access restrictions including hot works permits, induction course requirements etc.

Pre-check procedure:

- Discuss with the customer any concerns they may have regarding the chiller's operation.
- Check the clearances around the chiller, ensuring they are adequate for service access and for free and unobstructed access for primary air to the chiller.
- Check for any obstructions above the condenser fans that may hamper free air flow or may lead to air re-circulation through the condenser. Clean condenser fins.
- Check that an isolation switch has been provided close to the chiller in a clearly visible location and that power has been supplied to the chiller.
- Check that there is adequate provision of drainage should the tank need to be emptied at any point.

Check chiller operation:

Refrigeration circuit

- Visual inspection of chiller's exterior while running, noting any damage, noise, vibration, or other obvious problems.
- Remove panel work and complete inspection of interior of chiller, noting any damage, noise, vibration, or other obvious problems.
- Clean condenser coil and evaporator as required.
- Connect refrigerant gauges to the chiller and confirm that the refrigerant charge has not been lost.
- Check the refrigerant sight glass for evidence of moisture or excessive bubbling.
- Monitor high- and low-pressure levels and superheat.
- Check oil levels in compressor.
- Check for any indication of a temperature difference across the drier, inspecting drier for blockages.
- Using leak detector search for evidence of gas leaks.

Electrical system

- Isolate the chiller and check that all terminals within the electrical enclosure are tight.
- Tighten all other electrical connections. Re-apply power.
- Measure line voltages on each phase entering the chiller.
- Measure the current draw on the fans.
- Measure the current draw on all other motors and record readings.

Water circuit

- List down any relevant notes regarding the chilled water circuit, noting any issues that could pose problems including susceptibility to condensation or poor workmanship.
- Check water/fluid quality and level. Drain and clean the tank as required.
- Check and clean filters and strainers as required.
- If running, check the supply pressure and flow rate.
- Check whether the make-up water is directly connected to mains pressure and operating correctly.
- Note whether any water treatment is being used, or if provision has been made for water treatment
- Check whether the customer or the customer's agent has proposed to use water treatment.
- Check the pump current draw and record.

Operational check

- Confirm water temperature is set to the desired set point and chiller is operating as per the customer's requirements.
- Note the ambient temperature.
- As the water temperature approaches the set point, check the current draw on each compressor phase, note discharge and suction pressures then measure the Tx bulb temperature and the liquid line temperature between the drier and the Tx valve.

On completion

- Re-fit and clean all panels.
- Ensure no rubbish is left around the outside of the chiller.
- Discuss results of preventative maintenance with the customer, or the customer's agent. Detail basic operation of the chiller to the customer, or the customer's agent. Detail that any problems with the chiller should be referred directly to Aqua Cooler by calling 1800 278 226 per the service sticker on the chiller and quote the serial number.

NOTES